



Keen Ocean Industrial Limited

## 18W Series

### Technical data

Input Voltage	100-240V AC
Frequency	50-60Hz
Output Voltage	5-24VDC
Output Current	0.1-3.0A
Low Standby power	0.3W Max
Output Power (Maximum)	18W



## Switching Adaptor

### Environmental Specification

Operation Temperature	0°C to 40°C at maximum load
Storage Temperature	-20°C to 60°C
Humidity	5% to 95% non condensing

### Reliability

MTBF Calculation	50,000 hours at maximum load levels and an ambient temperature of 25°C
------------------	--

### Safety approval

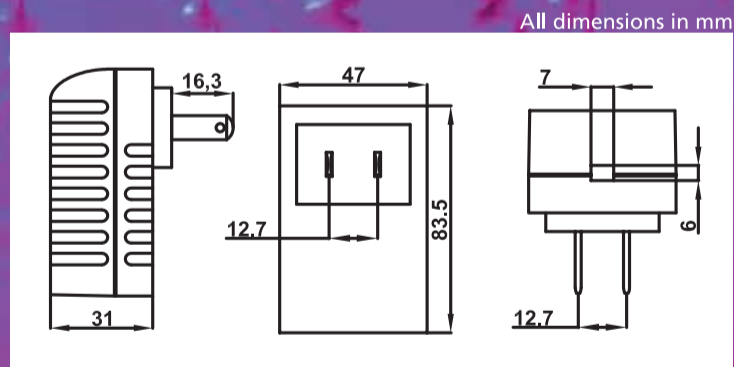
cULus (UL60950-1)	AR (IEC60950-1)
GS (EN60950-1)	KC (K60950-1)
BS (EN60950-1)	CE Mark
PSE (J60950-H19)	FCC Mark (Part-15)
SAA (AS/NZ60950-1)	EMC (EN55022)
CCC (GB4943)	CB

### Energy Saving

Meet CEC, MEPS (Level V), EUP requirement (With test report)

### Material

ROHS Compliant



### Keen Ocean Industrial Limited

Unit D, 26/F Shield Industrial Centre, 84-92 Chai Wan Kok St., Tsuen Wan, N. T. Hong Kong  
 Tel : (852) 3102 9700 Website : [www.keenocean.com.hk](http://www.keenocean.com.hk)  
 Fax : (852) 3102 9710 Email : [keenocean@keenocean.com.hk](mailto:keenocean@keenocean.com.hk)